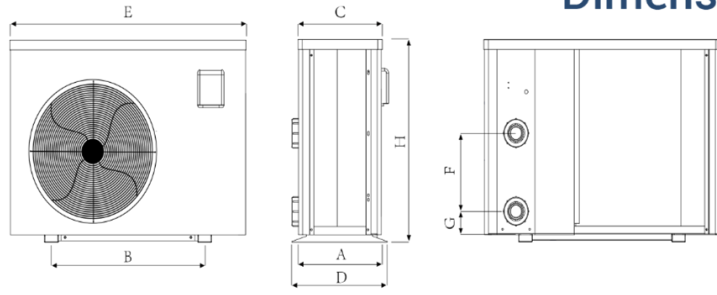
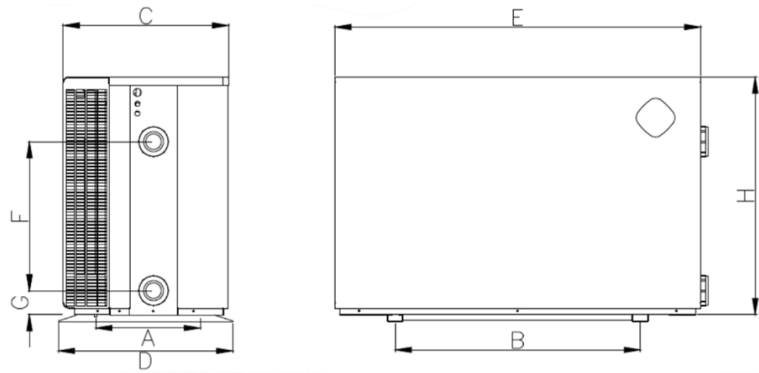


Dimension



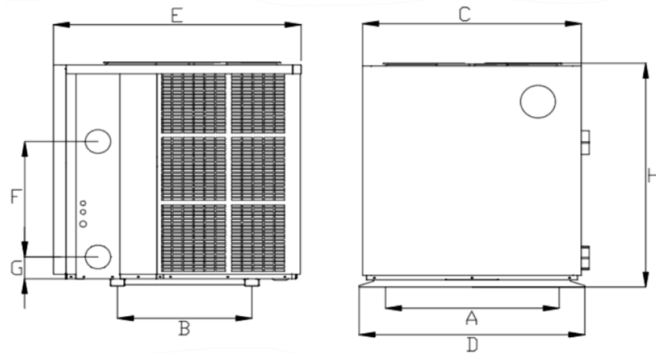
ECO

MODEL/ SIZE (mm)	A	B	C	D	E	F	G	H
ECO90/240MM	324	560	347	349	872	250	74	654
ECO130/240MM	324	560	347	349	872	320	74	654
ECO160/240MM	324	590	347	349	962	350	74	654
ECO200/240MM	324	590	347	349	962	350	74	754
ECO240/240MM	395	590	415	420	962	460	74	657



ELITE V3

MODEL/ SIZE (mm)	A	B	C	D	E	F	G	H
ESV3 - 110	510	450	504	530	750	300	75	656
ESV3 - 140	510	450	504	530	750	280	75	656
ESV3 - 170	510	540	504	530	840	350	75	656
ESV3 - 220	510	680	504	530	980	460	75	756
ESV3 - 270	520	760	514	540	1135	460	75	756
ESV3 - 320	520	720	512	540	1029	640	75	1107
ESV3 - 400	520	760	512	540	1139	650	75	1106



ECLIPSE

MODEL/ SIZE (mm)	A	B	C	D	E	F	G	H
ETD160/240MM	685	423	689	710	780	340	75	656
ETD210/240MM	685	423	689	710	780	390	75	656
ETD260/240MM	685	423	689	710	780	460	75	756

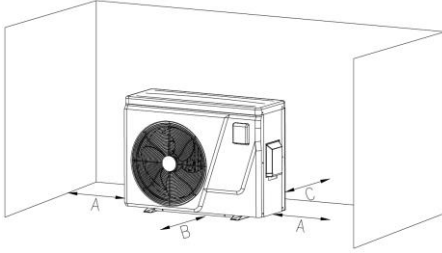
* Above data is subject to modification without notice.

Note: The picture above and the specification diagram of the pool heater is for the technician's installation and layout reference only. The product is subject to adjustment periodically for improvement without further notice.

Ventilation requirements

Single unit – 3 obstacles

ECO

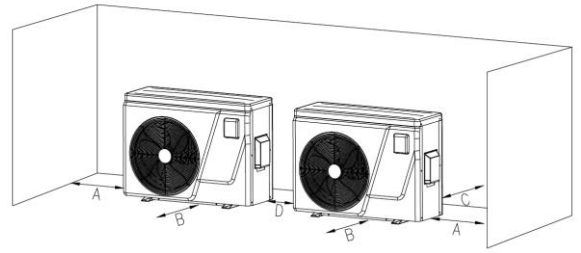


1.5 m clearance above

Model	ECO90	ECO130	ECO160	ECO200	ECO240
Distance A	300	300	300	300	300
Distance B	750	750	1000	1000	1000
Distance C	300	300	300	300	300

Ventilation requirements

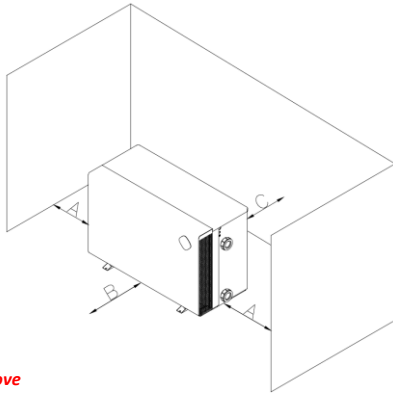
Multiple units – 3 obstacles



1.5 m clearance above

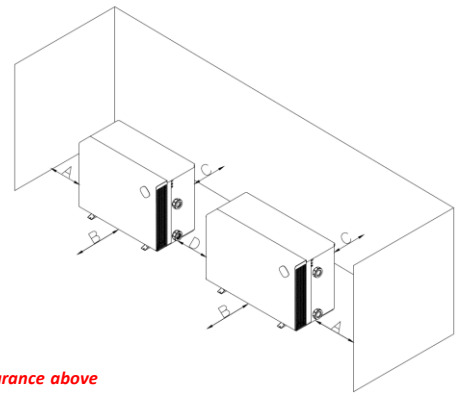
Model	ECO90	ECO130	ECO160	ECO200	ECO240
Distance A	300	300	300	300	300
Distance B	750	750	1000	1000	1000
Distance C	300	300	300	300	300
Distance D	600	600	600	600	600

Elite V3



1.5 m clearance above

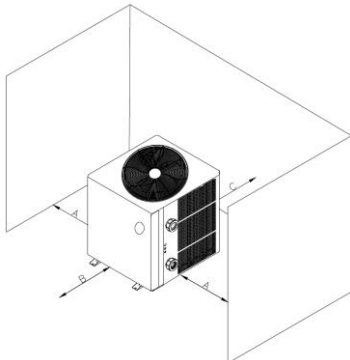
Model	110	140	170	220	270	320	400
Distance A	300	300	400	500	600	600	600
Distance B	300	300	300	300	300	300	300
Distance C	100	100	150	200	250	250	250



1.5 m clearance above

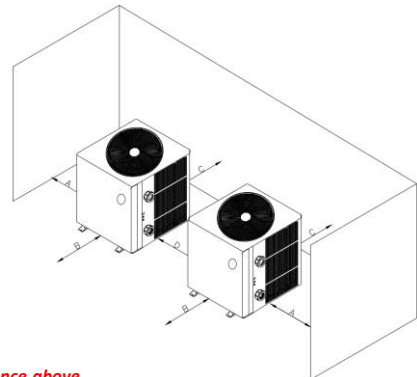
Model	110	140	170	220	270	320	400
Distance A	300	300	400	500	600	600	600
Distance B	300	300	300	300	300	300	300
Distance C	100	100	150	200	250	250	250
Distance D	600	600	800	1000	1000	1200	1200

Eclipse



2.0 m clearance above

Model	ETD 160	ETD 210	ETD 260
Distance A	250	250	300
Distance B	250	250	300
Distance C	250	250	300



2.0 m clearance above

Model	ETD 160	ETD 210	ETD 260
Distance A	250	250	300
Distance B	250	250	300
Distance C	250	250	300
Distance D	500	500	600