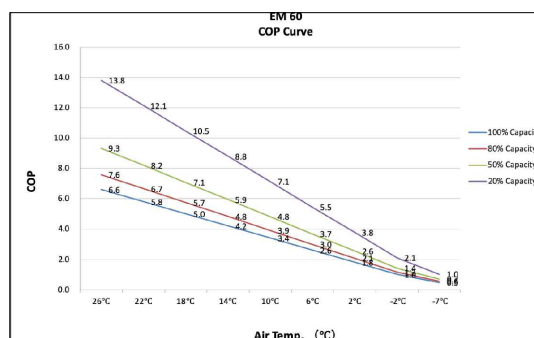
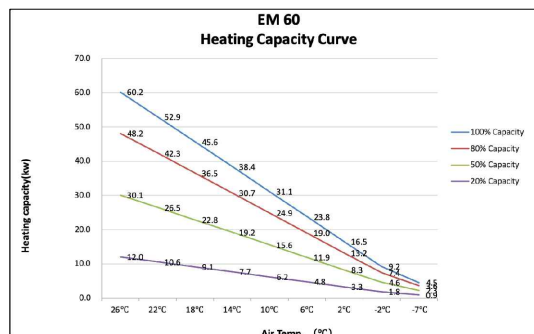


EM60 Technical sheet

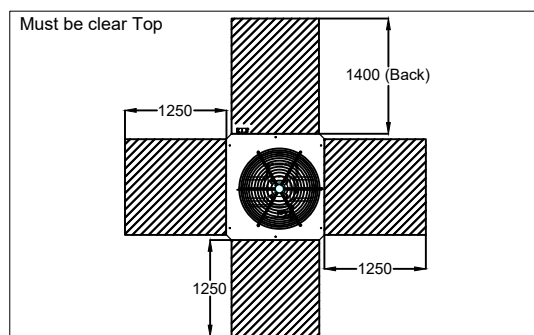
Specifications

Model	Elite Max 60
Coefficient of performance for different situations	
PERFORMANCE CONDITION: Air 27C / Water 27C/ Humid 80%	
Heating Capacity (kW)	60.2
COP at Maximum input	6.6
PERFORMANCE CONDITION: Air 15C / Water 26C/ Humid 70%	
Heating Capacity (kW)	40.1
COP at Maximum input	4.9
PERFORMANCE CONDITION: Air 35C / Water 28C/ Humid 80%	
Cooling Capacity (kW)	26.8
Components details	
Operating air temperature (C)	-15 ~ 43
Compressor	Mitsubishi DC Inverter compressor
Heat Exchanger	Twisted Titanium Heat exchanger
Fan direction	Vertical
Electrical details	
Power Supply	400V 3 Ph/ 50 Hz
Rated input power (kW)	2.10 ~ 8.18
Rated input current (A)	3.05 ~ 11.90
Max input current (A)	19
Noise level	
Sound level at 1m dB(A)	53.0~61.0
Sound level at 10m dB(A)	33.0~41.0
Water flow details	
Advised Water flux (L/min) ± 20%	400
Water connection (mm)	65
Profile details	
Net dimension LxWxH (mm)	1200x1075x1310
Net weight (kg)	212

Heat Graphs



Ventilation



Unit Dimensions

