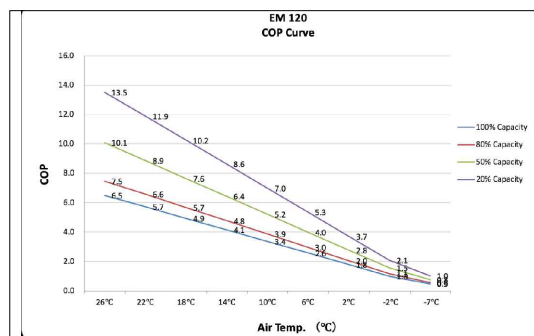
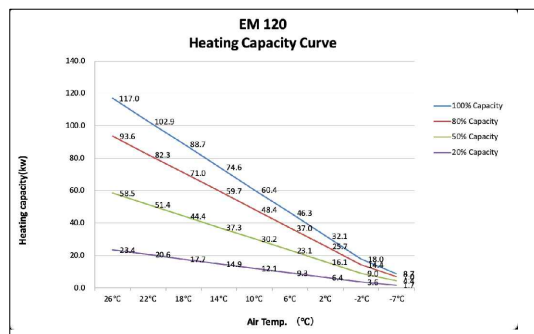


# EM120 Technical sheet

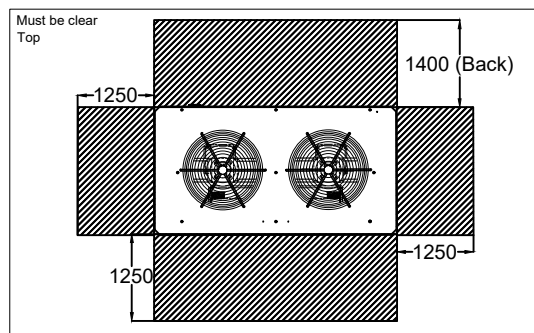
## Specifications

Model	Elite Max 120
Coefficient of performance for different situations	
PERFORMANCE CONDITION: Air 27C / Water 27C/ Humid 80%	
Heating Capacity (kW)	117
COP at Maximum input	6.5
PERFORMANCE CONDITION: Air 15C / Water 26C/ Humid 70%	
Heating Capacity (kW)	80.8
COP at Maximum input	4.8
PERFORMANCE CONDITION: Air 35C / Water 28C/ Humid 80%	
Cooling Capacity (kW)	53.5
Components details	
Operating air temperature (C)	-15 ~ 43
Compressor	Mitsubishi DC Inverter compressor
Heat Exchanger	Twisted Titanium Heat exchanger
Fan direction	Vertical
Electrical details	
Power Supply	400V 3 Ph/ 50 Hz
Rated input power (kW)	4,25 ~ 17.0
Rated input current (A)	6.16 ~ 24.70
Max input current (A)	38
Noise level	
Sound level at 1m dB(A)	55.0~64.0
Sound level at 10m dB(A)	35.0~44.0
Water flow details	
Advised Water flux (L/min) ± 20%	800
Water connection (mm)	80
Profile details	
Net dimension LxWxH (mm)	2160x1170x1330
Net weight (kg)	448

## Heat Graphs



## Ventilation



## Unit Dimensions

